

Name _____

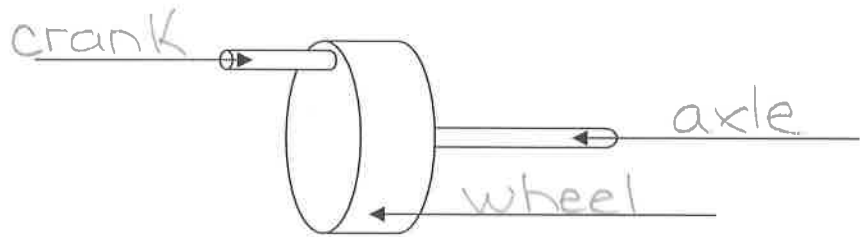


Wheels and Cranks Notes

Wheels are round and they make things go.

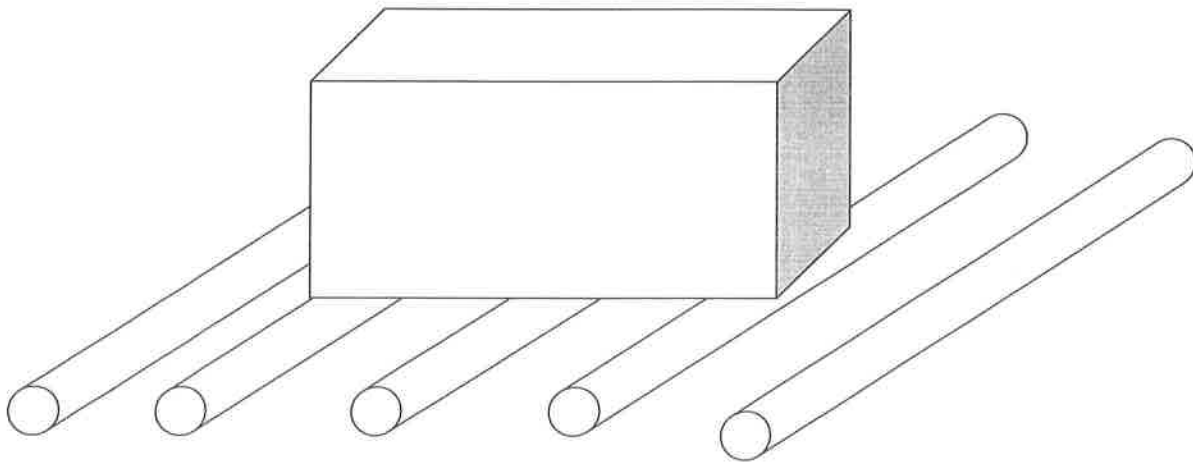
If a handle is put on a wheel it can be used to crank or turn the wheel.

Label the parts:



Rollers:

Rollers are a type of wheel that can be used to move heavy objects.



Examples of wheels: on the back of this paper write or draw examples of how people use wheels or cranks, I've included a few to get you started...

